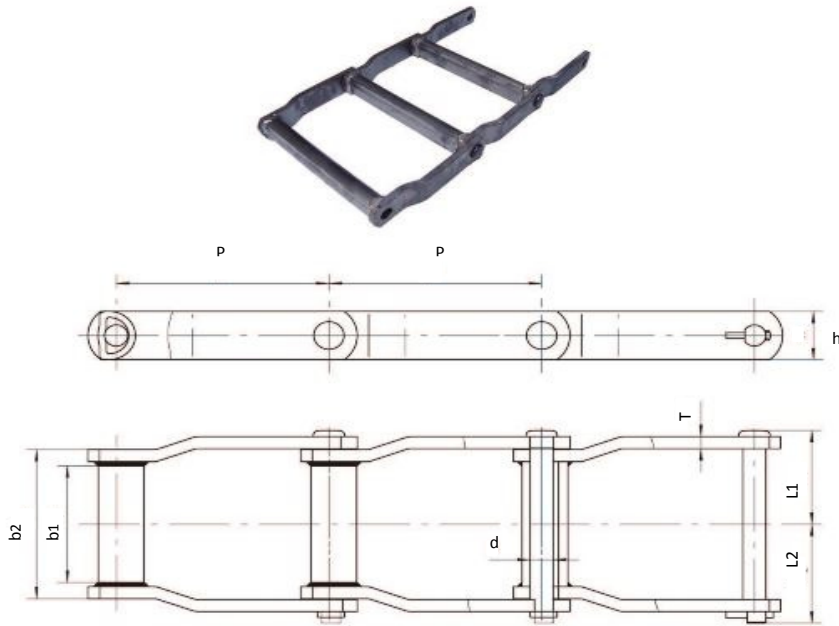


# Welded Crank Link Drag Chains



CHAIN	Pitch p mm	Narrow end		Sidebars		Pin			Ultimate tensile strength Fu (min) kN	Rated working load kN	Weight per metre q kg/m
		b1 (min) mm	b2 (max) mm	h mm	T mm	d mm	L1 mm	L2 mm			
WDR104	152.4	104.6	136.9	38.1	9.5	18.9	84.2	91.0	204	28.5	12.0
WDH104	152.4	104.6	136.9	38.1	9.5	18.9	84.2	91.0	310	44.5	12.0
WDR110	152.4	228.6	263.9	38.1	9.5	18.9	147.8	154.5	204	28.5	17.0
WDH110	152.4	228.6	263.9	38.1	9.5	18.9	147.8	154.5	310	44.5	16.9
WDR112	203.2	228.6	263.9	38.1	9.5	18.9	147.8	154.5	204	28.5	14.1
WDH112	203.2	228.6	263.9	38.1	9.5	18.9	147.8	154.5	310	44.5	14.1
WDR116	203.2	325.8	358.7	44.5	9.5	18.9	195.4	201.8	262	36.5	18.8
WDH116	203.2	325.8	358.7	44.5	9.5	18.9	195.4	201.8	320	51.2	18.8
WDR120	152.4	222.2	260.4	50.8	12.7	22.1	150.5	157.0	390	48.0	28.7
WDH120	152.4	222.2	260.4	50.8	12.7	22.1	150.5	157.0	500	66.8	28.7
WDR480	203.2	282.4	324.1	50.8	12.7	22.1	182.2	188.7	390	48.0	26.9
WDH480	203.2	282.4	324.1	50.8	12.7	22.1	182.2	188.7	500	66.8	26.9

Sprockets Australia has made every attempt to ensure data above is accurate however accepts no liability for inaccuracies or damage caused.

WDR chains have all pins heat treated.  
WDH chains have all parts heat treated.