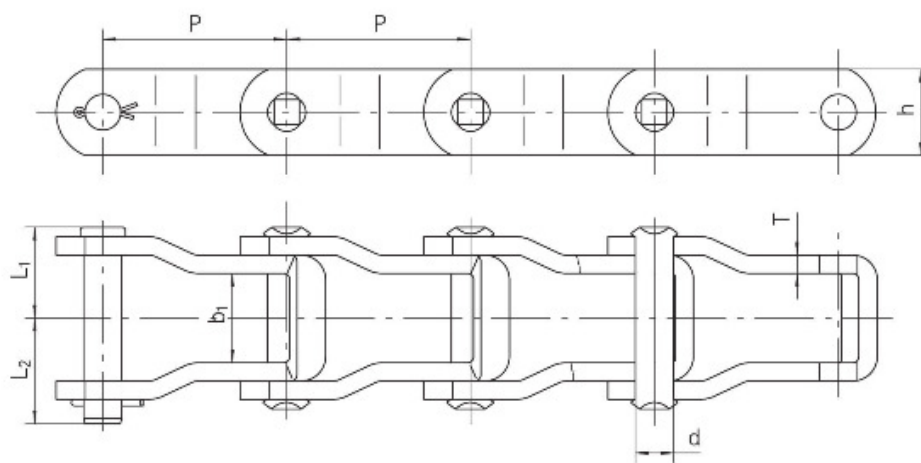


Steel Pintle Chain



链号	节距	窄端内宽	销轴			链板		最小抗拉强度	平均拉伸强度	许用工作载荷	每米重量
Chain No.	Pitch	Inside width at narrow end	Pin			Plate		Ultimate tensile strength	Average tensile strength	Maximum recommended working load	Weight per meter
	P mm	b _i mm	d mm	L ₁ mm	L ₂ mm	h mm	T mm	Fulmin) kN	Q ₂ kN	kN	q kg/m
D205	31.75	9.4	5.08	11	13.4	11.9	2.1	18	21.8	2.5	0.62
662	42.27	22.9	7.16	20.45	23.25	18.3	3.2	42.5	49.8	7.6	1.66
662H	42.27	22.9	7.16	21.25	24.05	20.4	3.6	48.9	52	7.8	2.04
662HD	42.27	22.9	7.92	22.65	25.55	22.23	4.3	60	65.8	9.3	2.66
667X	57.15	26.3	11.1	25.55	28.75	23.8	4.3	88.9	96.5	13.4	2.91
667XH	57.15	26.5	11.91	29	32.3	26.8	5.7	124.5	138	21.4	4.31
D667K	57.15	26.5	11.1	27.7	30.9	26.8	5.1	106.8	123	16.7	3.80
667J	57.15	26.5	9.52	25.55	28.75	23.8	4.3	86.5	95	13.1	2.80
667H	58.75	25.4	7.92	21.65	24.45	22.23	3.2	52.1	57.4	8.5	1.85
88K	66.27	26.5	11.1	27.7	30.9	26.8	5.1	106.8	123	17.8	3.60
D88C	66.27	31.5	12.7	32.65	35.65	28.58	6.4	152	169	26.7	5.25
308C	78.1	32.5	15.88	38.05	41.95	38.1	8	200	222	35.6	8.44

SPROCKETS AUSTRALIA PTY LTD | 216 WHITEHALL STREET | YARRAVILLE, VICTORIA 3013
 P: (03) 9687 8177 | F: (03) 9687 8527 | E: sales@sprocketsoz.com.au
www.sprocketsoz.com.au